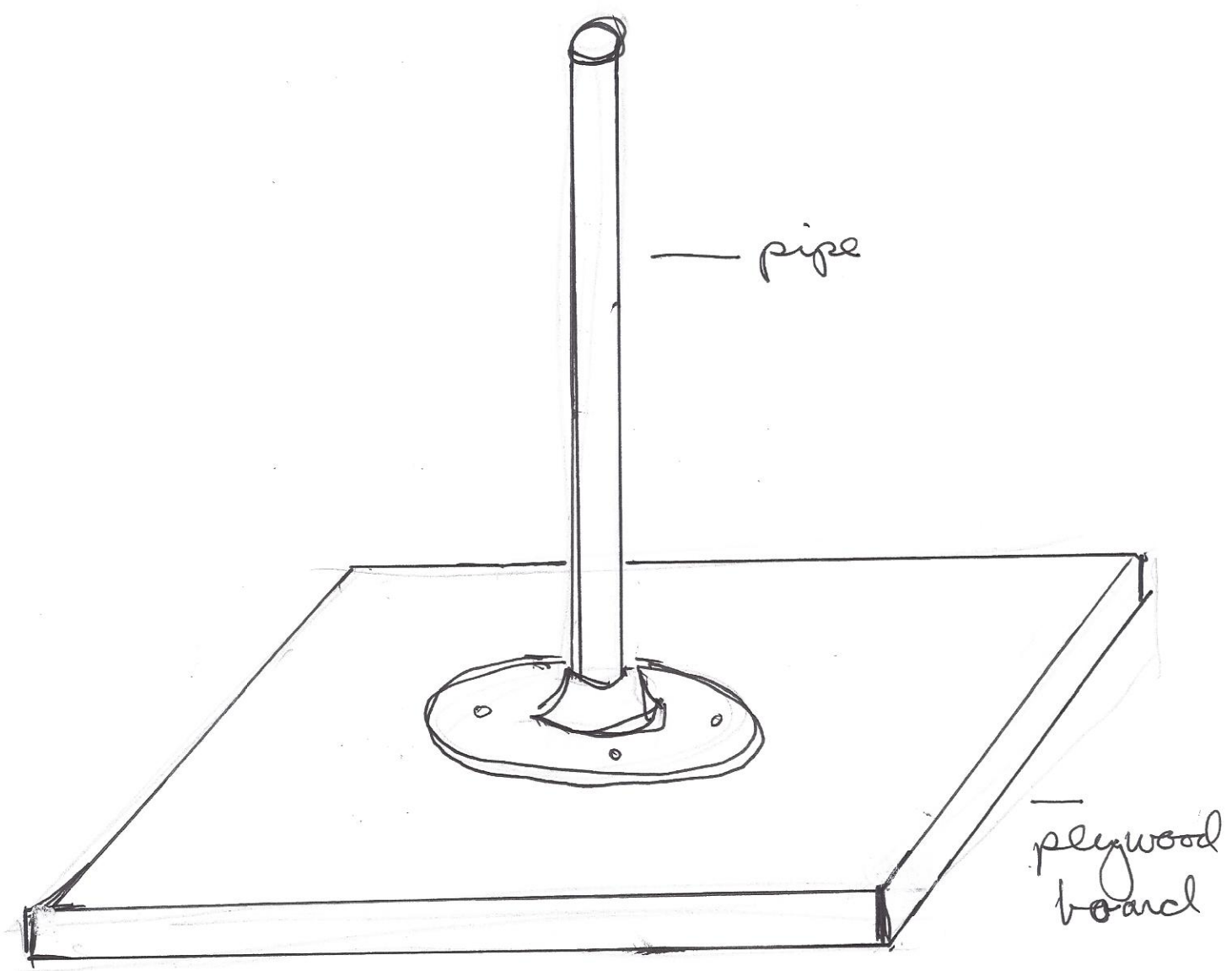


If you choose to build your own head armature you will need the following, all of which can be purchased at Lowes or Home Depot

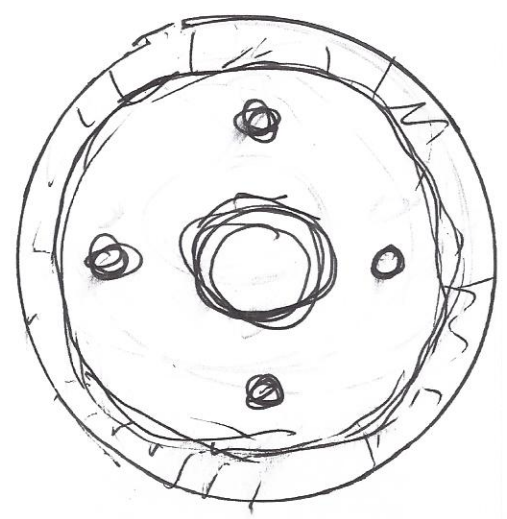
1. a plywood board about 12" x 12" x 1/2"
2. a 12" x 3/8 inch plumbing pipe
3. a plumbing flange, to attach the pipe to the board
4. Four screws, to attach the flange to the board

SEE DIAGRAM



— pipe

— plywood board



— flange